

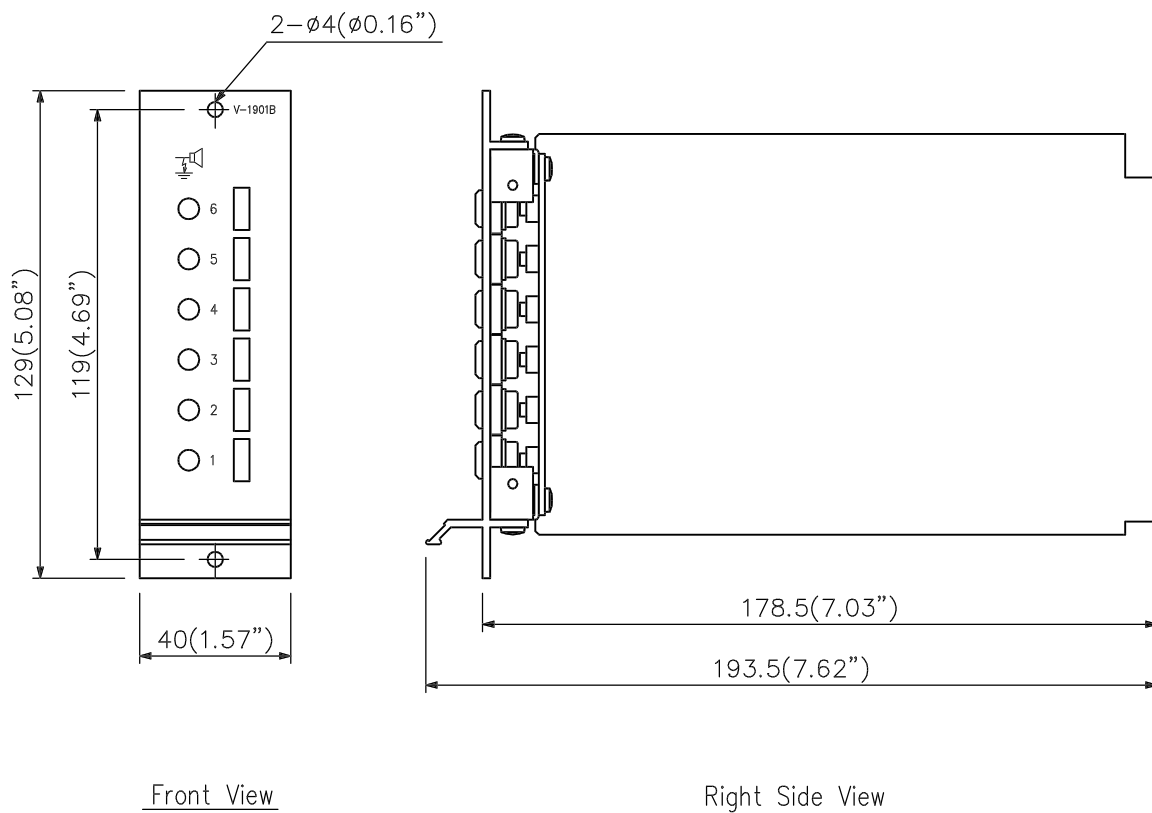
■DESCRIPTION

The V-1901B is a module monitors connected speaker lines and it's irregularities can also be checked with individual test seitches. It designed for use with the mixer flame.

■SPECIFICATIONS

Power Requirements	24 V DC
Power Consumption	60 mA max.
Input	6 inputs (loudspeaker line)
Output	1 output with floating contact (1 A 30 V DC)
Switches	6 test buttons
Indicators	6 ground leakage LEDs (RED)
Earth-Resistor	Less than 50 kΩ
Connection	44-pin card-edge connector
Color	Black
Dimensions(W×H×D)	40 (1.57")×129 (5.08")×193.5 (7.62") mm
Weight	150 g (0.33 lb.)

■APPEARANCE



UNIT:mm SCALE:1/2