

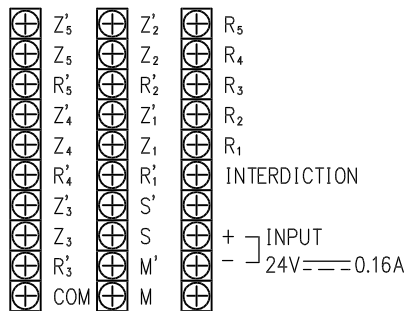
DESCRIPTION

The V-1062B is a 5-zone selector module that assigns either of two inputs to five outputs. It is designed for use with the VM series mixer power amplifiers and the mixer frame.

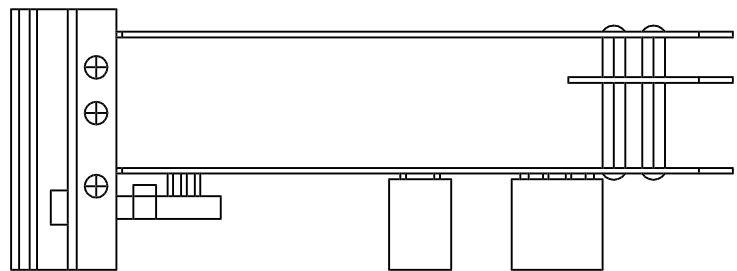
SPECIFICATIONS

Power Requirement	24 V DC
Current Consumption	160 mA
Inputs	2 Inputs
Outputs	5 Outputs
Switches	5 Selector buttons
Indications	Zone selector lamp : Green LED's Interdiction lamp : Red LED
Connections	Input/output : 2 of 10-pin terminal DC input/remote : 10-pin terminal
Color	Black
Dimensions(W×H×D)	80.3 (3.16")×129 (5.08")×191 (7.52") mm
Weight	420 g (0.93 lb.)

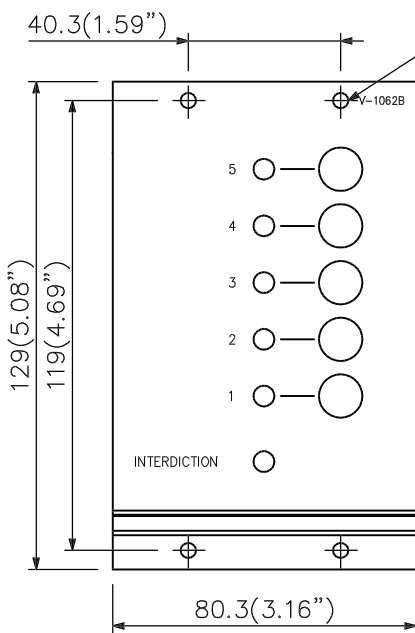
APPEARANCE



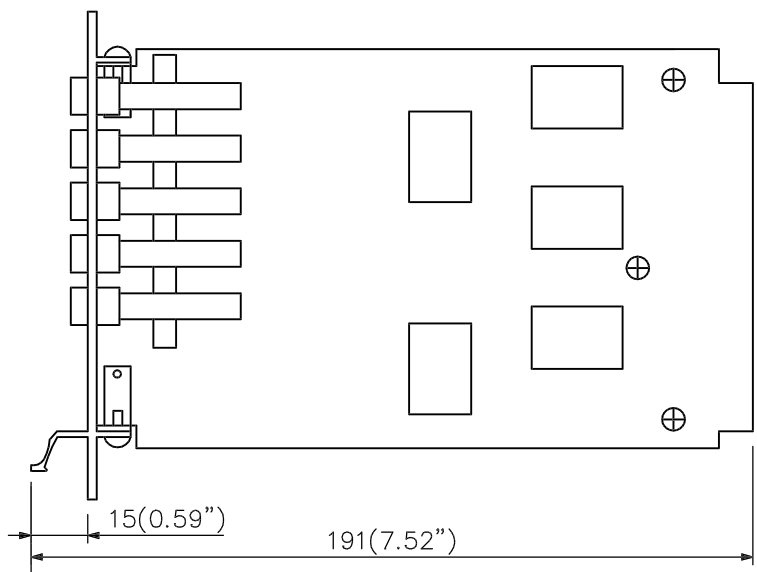
Terminal block



Top View



Front View



Side View

UNIT:mm SCALE:1/2