

DESCRIPTION

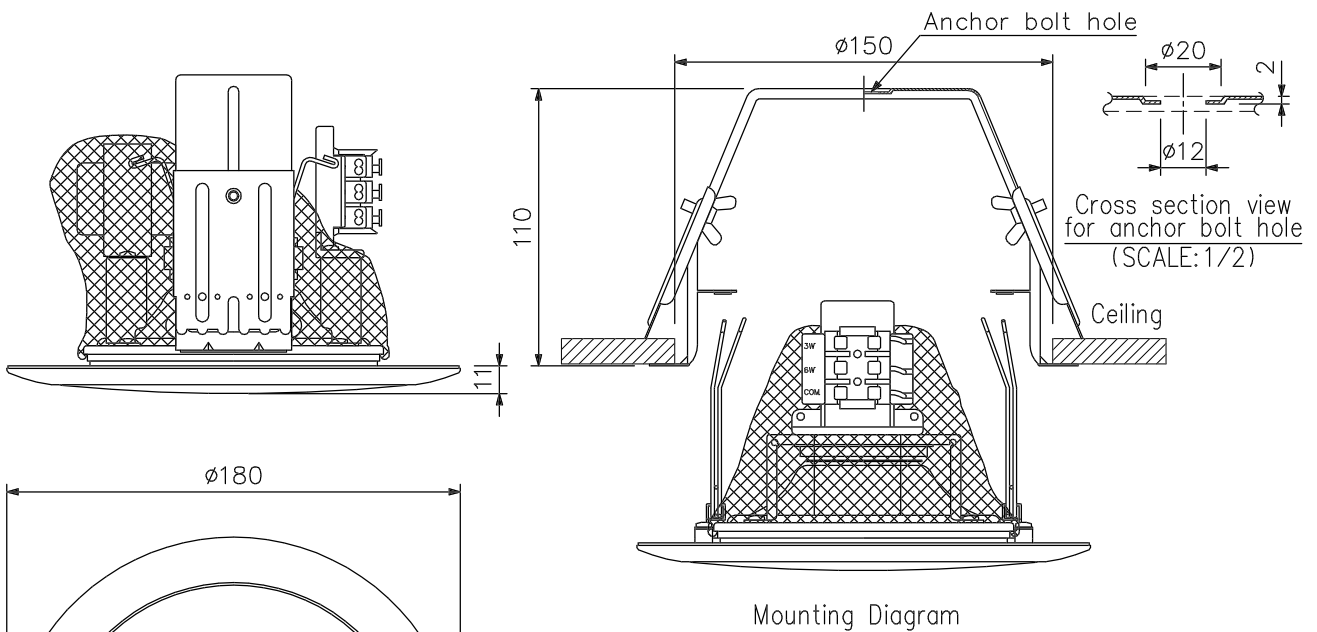
Designed for simple installation, the TOA PC-1863 is equipped with a metal grille and an ABS resin Baffle. It can be easily installed thanks to its spring catch method. Push-in connector allows quick wire connection, and speaker lines can be bridged by bridging terminals. Additionally, the front net is also made of metal, simplifying cleaning.

SPECIFICATIONS

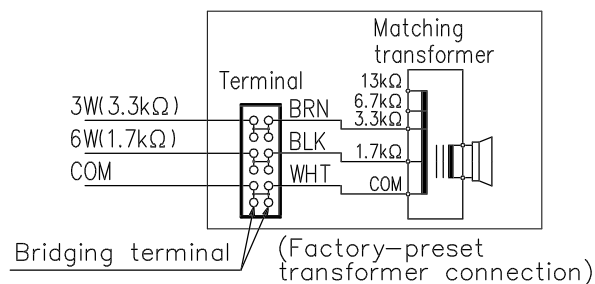
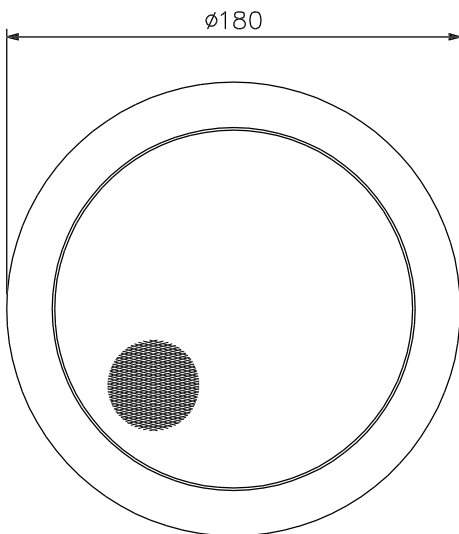
Rated Input	6 W (for 100 V Line), 3 W (for 70 V Line)
Rated Impedance	100 V line: 1.7 kΩ (6 W), 3.3 kΩ (3 W), (6.7 kΩ (1.5 W), 13 kΩ (0.8 W): Internal wiring must be changed) 70 V line: 1.7 kΩ (3 W), 3.3 kΩ (1.5 W), (6.7 kΩ (0.8 W), 13 kΩ (0.4 W): Internal wiring must be changed)
Sound Pressure Level	90 dB (1 W, 1 m, 330 - 3,300 Hz Pink noise)
Frequency Response	100 - 16,000 Hz
Speaker Component	12 cm cone-type
Dimensions for Fixing Hole	∅150 (mounting hole) × 50 (maximum ceiling thickness) mm
Speaker Mounting Method	Spring catch
Applicable Cable	600 V Vinyl-insulated cable (IV wire or HIV wire) Solid copper wire: ∅0.8 - ∅1.2 mm 7-core twisted copper wire: 0.75 - 1.25 mm ²
Connection	Push-in connector (Bridging terminal-2 branch type)
Finish	Baffle: ABS resin, off-white (RAL 9010 or equivalent color) Grille: Aluminum net, off-white (RAL 9010 or equivalent color), paint
Dimensions	∅180 × 11 (exposed section) + 110 (D) mm
Weight	740 g (bracket included)

[Note] Do not cover the speaker with heat insulating material or sound absorbing material. Ensure that the speaker is kept away from the heat insulating material.

APPEARANCE



Mounting Diagram



Wiring Diagram

UNIT:mm SCALE:1/3

[Note] Use transformer terminals when changing input impedance.