

DESCRIPTION

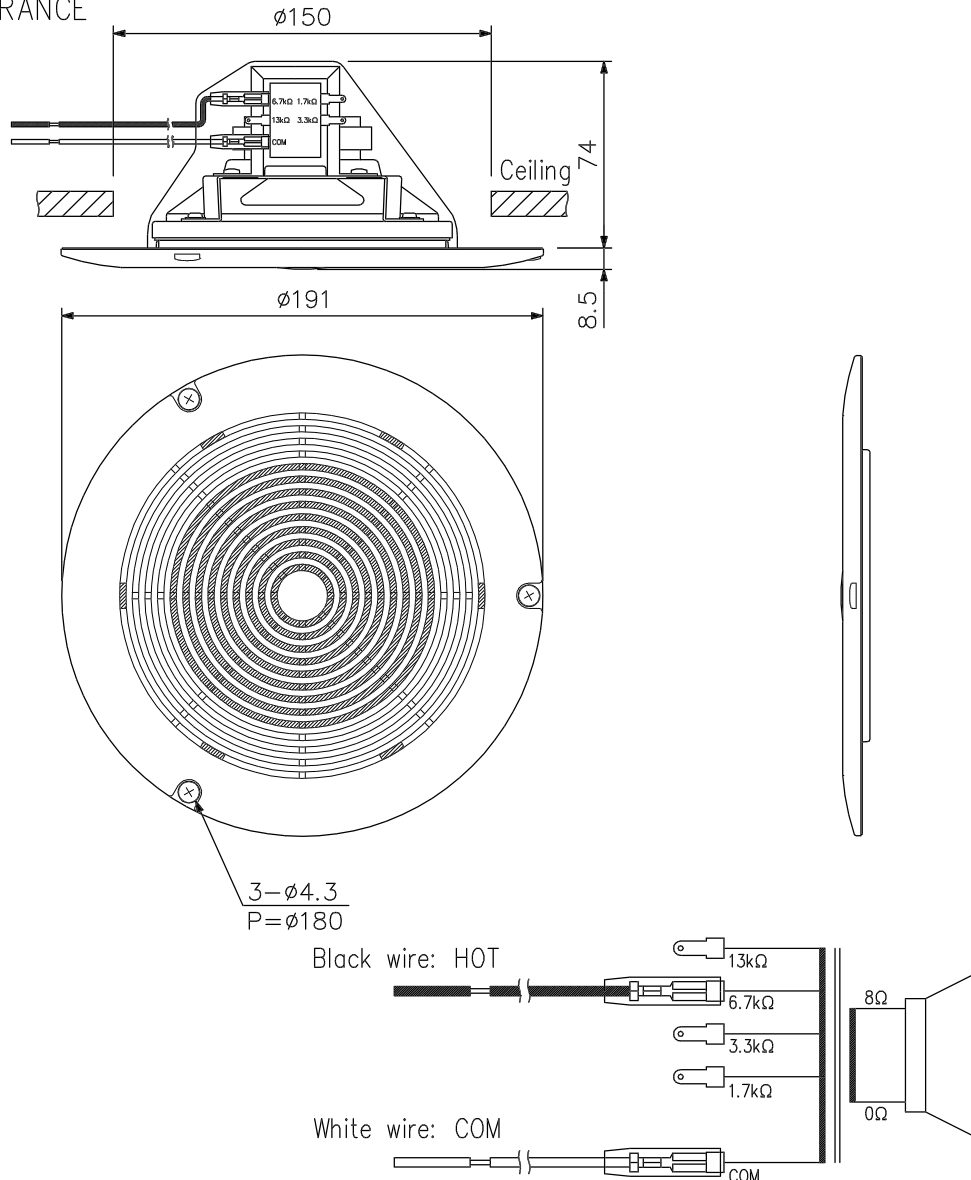
The PC-645R is a ceiling speaker with the rated input of 6 W (when connected to the 100 V line). It fits in the mounting hole with diameter of 15 cm and can be mounted to the ceiling by means of screws. The ceiling speaker is designed for operation on both the 70 V and 100 V lines, and the impedance can be changed by changing connector connections to transformer taps. The panel is made extremely thin and is colored in off white, permitting the mounted speaker to look clean.

SPECIFICATIONS

Rated Input	6 W (for 100 V line), 3 W (for 70 V line)
Line Voltage	100 V line or 70 V line
Rated Impedance	100 V line: 1.7 k Ω (6 W), 3.3 k Ω (3 W), 6.7 k Ω (1.5 W), 13 k Ω (0.8 W) 70 V line: 1.7 k Ω (3 W), 3.3 k Ω (1.5 W), 6.7 k Ω (0.8 W), 13 k Ω (0.4 W)
Preset Impedance	6.7 k Ω (1.5 W/100 V line, 0.8 W/70 V line)
Sound Pressure Level	90 dB (1 W, 1 m, 330 - 3,300 Hz, pink noise)
Frequency Response	100 - 12,000 Hz
Speaker Component	12 cm cone-type (rated impedance 8 Ω)
Ceiling Mounting Hole	ϕ 150 mm
Finish	Baffle: ABS resin, off-white (RAL 9010 or equivalent color)
Dimensions	ϕ 191 \times 8.5 (exposed section) + 74 (D) mm
Weight	550 g
Accessory	Wood screw.....3

[Note] Do not cover the speaker with heat insulating material or sound absorbing material. Ensure that the speaker is kept away from the heat insulating material.

APPEARANCE



UNIT:mm SCALE:1/3